

Masport®

EXPORT ROTARY MOWERS

SERIES 19

Part Number

465817

Model

600ST 2'n1 SP OPC 20

Engine # 502352

Loncin 159cc

Month and Year of Manufacture: January 2020

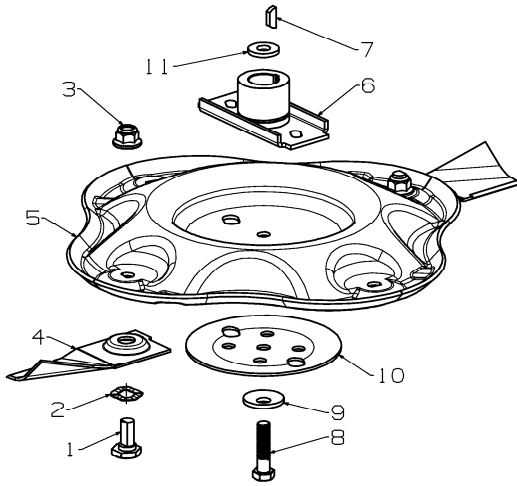
Starting Serial Number: 8399402



Issue A.0
ECN 04166
Feb 2020 PB
REF # 765817S



485mm Disc Blade - Wavy, Assembly

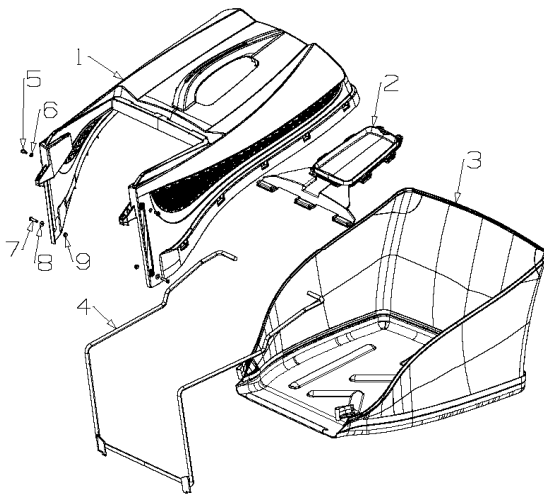


Item	Part No	Description	Qty
1	581707	Bolt- Pivot M10 x 22	2
2	580693	Washer, Wavy 13.4 x 24.2	2
3	503672	Nut, M10 Hex Nyloc Flange	2
4	983529	Blade- Quick Cut, 485mm Euro	2
5	783314	KIT-Disc Blade Wavy (Includes items: 8, 9, 10)	1
6	014173	Driver Assy- Blade, 7/8"	1
7	503363	Key, Woodruff, 5/8 x 3/16 x 1/4	1
8	503543	Bolt; Hex NF 3/8 x 1.5 NYG8	1
9	502297	Washer- Belleville 10 x 30 x 3	1
10	567332	Plate- Stiffener, Disc Blade Assy	1
11	573585	Spacer- Blade Driver 22 x 4	1

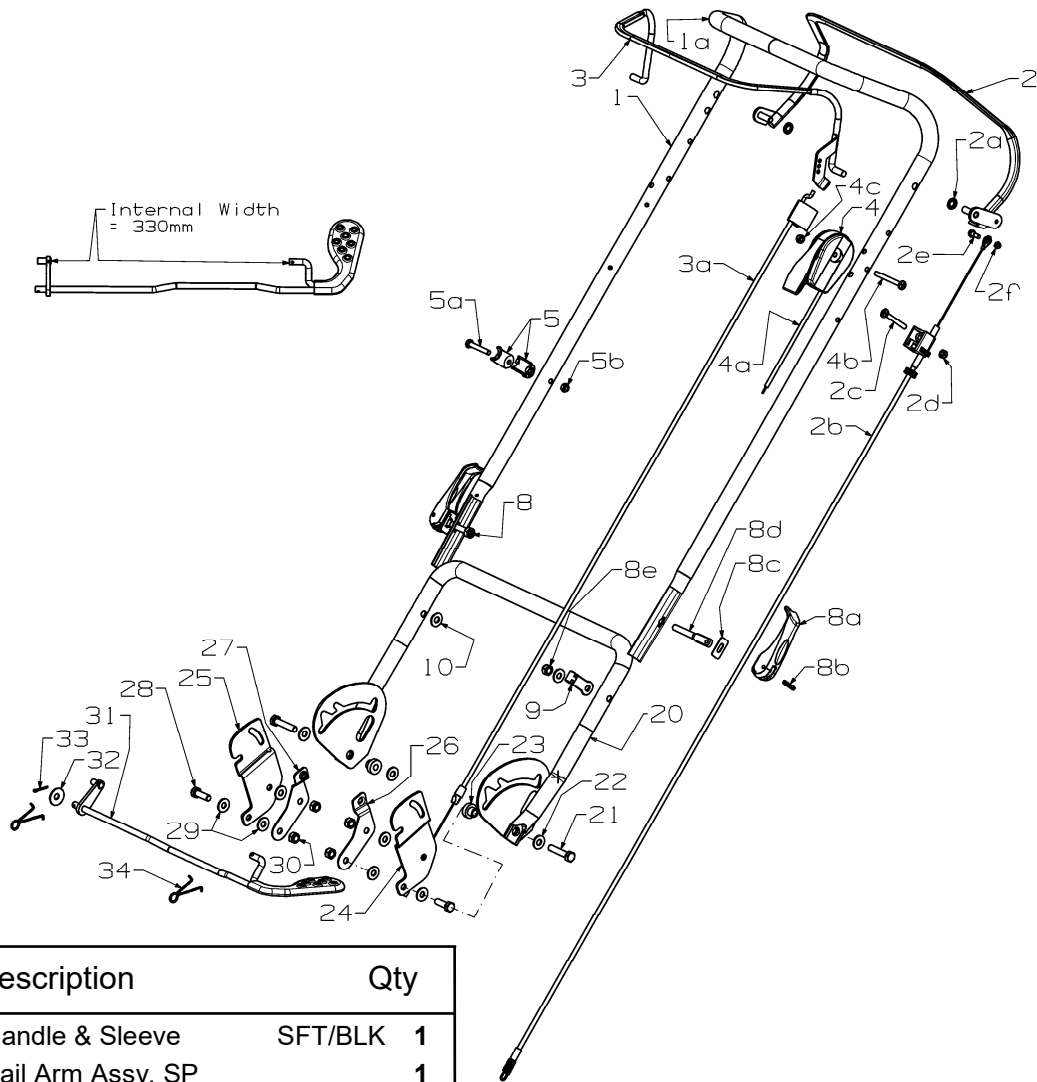
Blade & Bolt Sets

- 783690 Bolt Set (2)**
Includes Items: **2 x 1, 2, 3**
- 767538 Blade-Quick Cut (2per) E485mm**
Includes Items: **1, 2, 3, 4**

773401 Aero Catcher 19" Assembly



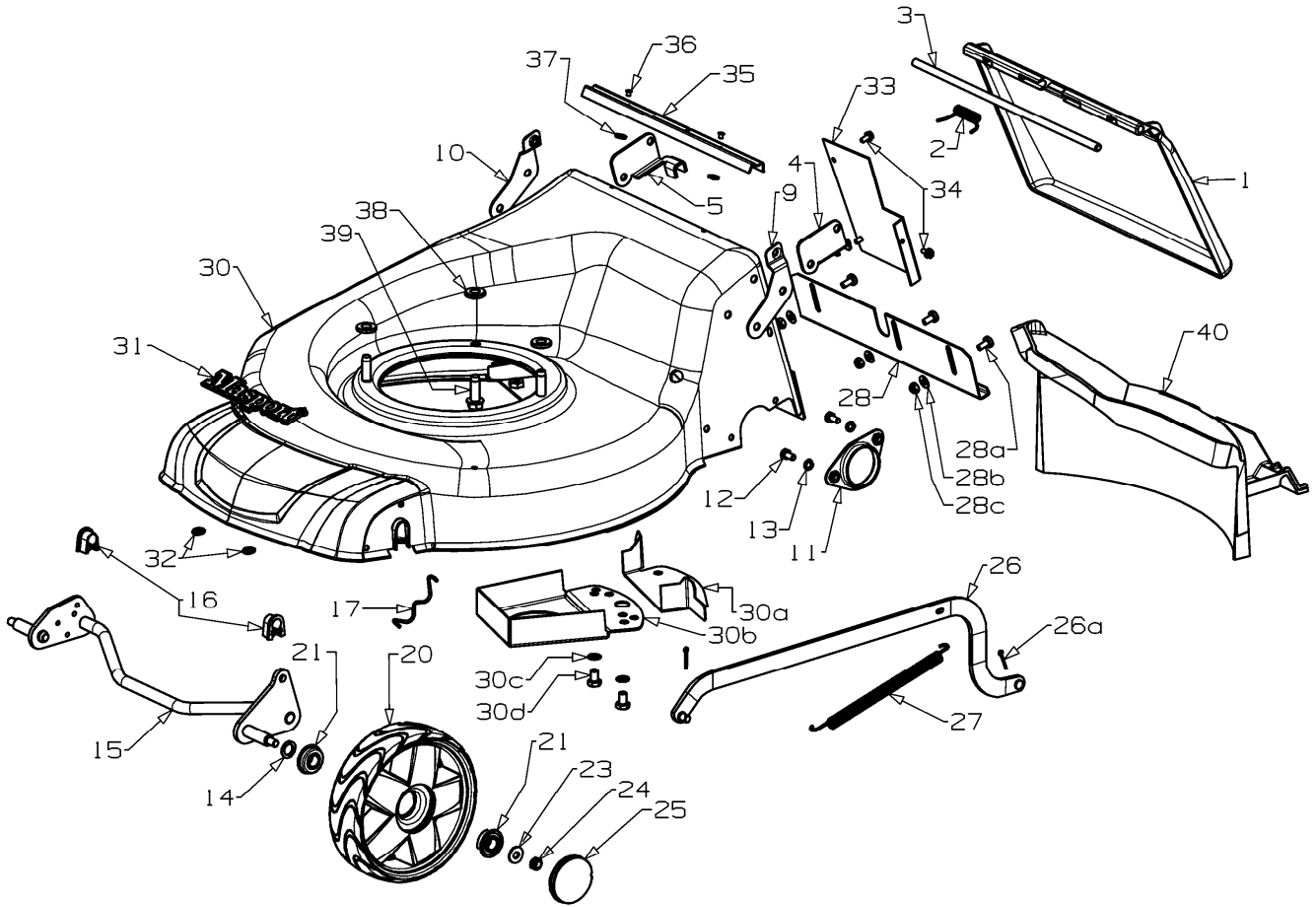
Item	Part No	Description	Qty
1	573373	Catcher, Top 19/21"	1
2	573370	Catcher, Top Insert	1
3	573375	Catcher, Bottom 19/21" Masport	1
4	573841	Catcher, Frame 19" SP	1
5	503834	Screw, S/T M4 x 10 Wshr/Hex	2
6	501024	Washer- Spg 4	2
7	501023	Screw, Set M4 x 20 Hex	2
8	503593	Washer, Flat 4 x 9 x 1.0	2
9	503875	Nut, M4 Hex Nyloc	2



Item	Part No	Description	Qty
1/1a	783457	Handle & Sleeve	SFT/BLK 1
2	982161	Bail Arm Assy, SP	1
2a	501365	Clip- Starlock, 5/16"	2
2b	565435	Cable- Clutch, Thumb Wheel	1
2c	503604	Screw, Pan M6 x 45	1
2d	501764	Nut, M6 Hex Nyloc x 6mm thick	1
2e	502237	Bolt, Hex Flat/Head Shouldered M5	1
2f	502238	Nut, M5 Hex Nyloc x 5mm thick	1
3	981740	Bail Arm Assy, OPC	1
3a	581656	Cable- Engine OPC, Push On	1
4/4a	583458	Throttle Ctrl & Cable, Wescon	1
4b	503604	*Screw, Pan M6 x 45	1
4c	501764	*Nut, M6 Hex Nyloc x 6mm thick	1
5	703856	Comfort Start Kit	1
5a	503794	*Screw, Set M6 x 40	1
5b	501764	*Nut, M6 Hex Nyloc x 6mm thick	1
8	779755	Cam Lock Assy (1 per)	2
8a	582419	*Lever- Handle, Locking	1
8b	503369	*Pin, Tension 5.0 x 22	1
8c	016777	*Washer, Slipper	1
8d	583041	*Stud- Handle Lock, 61mm	1
8e	501793	*Nut, M8 Hex Nyloc x 8mm thick	1

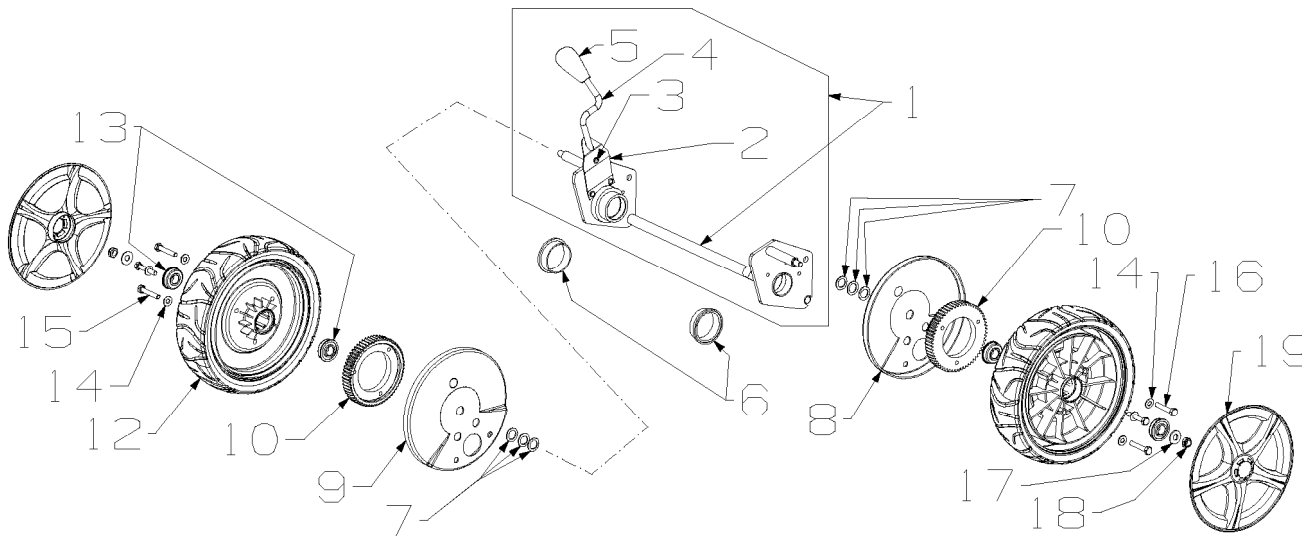
Item	Part No	Description	Qty
9	581527	Retainer- Control Cable, Handle	1
10	501606	Washer, Flat 8 x 19 x 1.6	2
20	967366	Handle Assy- Lower, LFT Adj 19"	1
21	501716	Screw, Set M8 x 35 Hex	2
22	501606	Washer, Flat 8 x 19 x 1.6	3
23	567382	Spacer- Handle, Lower Lift	2
24	567369	Plate- Mount, Handle LH	1
25	567368	Plate- Mount, Handle RH	1
26	579209	Bracket- Flap, LH	1
27	579210	Bracket- Flap, RH	1
28	501598	Screw, Set M8 x 25 Hex	2
29	501606	Washer, Flat 8 x 19 x 1.6	6
30	501793	Nut, M8 Hex Nyloc x 8mm thick	4
31	967383	Rod Assy Adj- Lower Lift	1
32	502149	Washer- Dished	1
33	501056	Pin, Cotter 2.3dia x 16	1
34	567381	Spring- Ergo Lift	2

When ordering spares: PLEASE QUOTE PART NUMBER & Description, NOT illustrated number. Item Qty = 1 per part unless stated differently.
BOLD TEXT = Assemblies. Text starting with * = items included in the assemblies & may not be available as a spares item.
 Determine the left hand or right hand sides by standing in the operating position (standing at the handle).



Item	Part No	Description	Qty	Item	Part No	Description	Qty
1	579056	Flap- Mower, 19"/21"	1	27	580621	Spring-Counter Balance, SP	1
2	579213	Spring-Flap 19" ST Deck	1	28	571048	Hook 19" Aero Catcher	1
3	583312	Wire-Flap Pivot 8mm x 325mm	1	28a	503591	Screw, Pan M6 x 12	3
4	573435	Bracket- LH 19" ST Aero	1	28b	501703	Washer; Flat 6 x 14 x 1.2	3
5	573436	Bracket- RH 19" ST Aero	1	28c	501764	Nut, M6 Hex Nyloc x 6mm thick	3
9	579209	Bracket- Flap, LH 19"	1	30	773397	Housing- StIT19" XFQ COSP TTNM	1
10	579210	Bracket- Flap, RH 19"	1	30a	565317	*Cover- Belt, SPV 19" STL	1
11	581178	Retainer-Axle, Rear, 600 SP	2	30b	567412	*Cover- Belt, SPV 21" Syncro	1
12	501959	Screw, Set M6 x 12 Hex	4	30c	501863	*Screw, Set M8 x 12 Hex	2
13	500201	Washer, Spring 6	4	30d	503747	*Washer, Spg 8	2
14	503301	Washer; Flat 1/2 x 3/4 x 18g	1	31	581240	MASPORT- Nameplate	1
15	983247	Axle-Front, 175mm	1	32	503150	Clip- Starlock, 5mm dia	2
16	580030	Bush-Pivot, Front Axle	2	33	573578	Tunnel- G/box Cover 19" ST Aero	1
17	529674	Retainer-Axle W, Front	2	34	503630	Screw, S/Tapping 10 x 0.4	3
20	579196	Wheel-175mm BB Spoked Silver (Includes 2 x 551212 per wheel)	2	35	579211	Seal- Flap, Dust 19"	1
21	551212	Bearing- Wheel	4	36	581369	Rivet- Pop 4.0 x 3.2 73SS5-2	2
23	501606	Washer, Flat 8 x 19 x 1.6	2	37	502170	Washer, Nylon 5 x 12 x 2.0	2
24	503831	Nut, M8 Hex Nyloc x 6mm thick	2	38	573585	Spacer- Blade Driver 22 x 4	3
25	579198	Hub Cap, Button Spoked Silver	2	39	580453	Screw, S/T 3/8"x1-1/8" UNC	3
26	573498	Rod Assy-Connecting, 19" ST SP	1	40	579130	Insert- Mulching, 19" ST SP	1
26a	501056	Pin, Cotter 2.3dia x 16	2				

When ordering spares: PLEASE QUOTE PART NUMBER & Description, NOT illustrated number. Item Qty = 1 per part unless stated differently.
BOLD TEXT = Assemblies. Text starting with * = items included in the assemblies & may not be available as a spares item.
 Determine the left hand or right hand sides by standing in the operating position (standing at the handle).

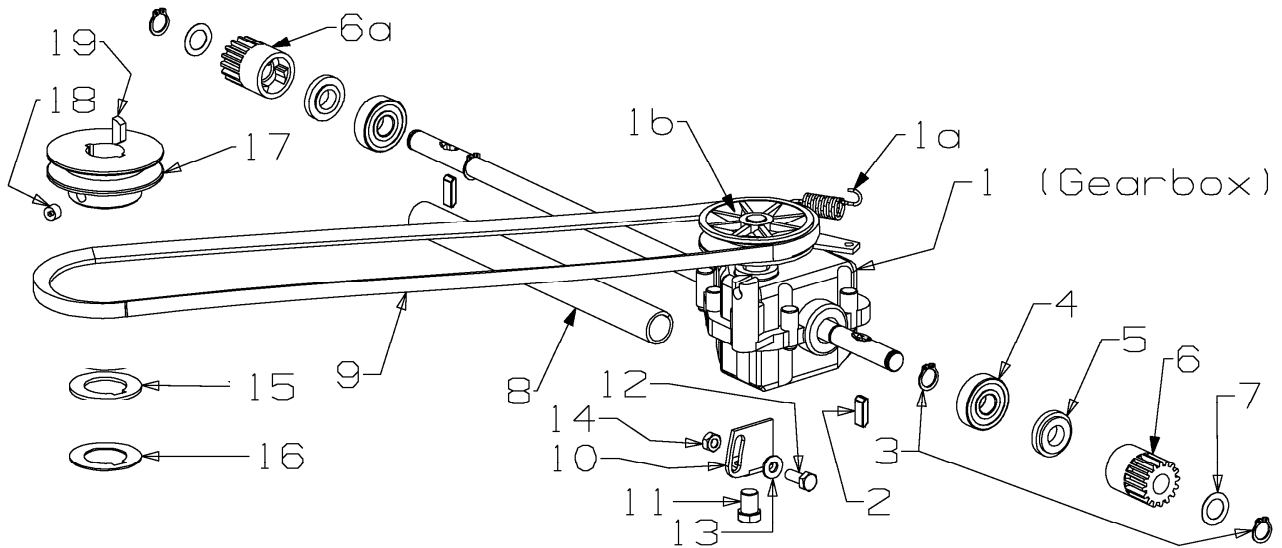


Item	Part No	Description	Qty	Item	Part No	Description	Qty
1	773417	Axle Assy, Rear Complete 19" SP	1	12	579070	Wheel Assy- 220mm MSV SP	2
2	580649	*Spring, Leaf	1			(Includes 2 x 551212 per wheel)	
3	503373	*Rivet-F/HD 3/16 x 27/64	3	13	551212	Bearing Ball	4
4	983329	*Rod, Height Selector 19"	1	14	501703	Washer, Flat 6 x 14 x 1.2	6
5	581729	*Grip- Height Lever, MSV	1	15	501815	Screw, Set M6 x 35	3
6	580091	Bush- Pivot, Rear Axle	2	16	501815	Screw, Set M6 x 35	3
7	503301	Washer, Flat 1/2 x 3/4 x 18G	6	17	501606	Washer, Flat 8 x 19 x 1.6	2
8	579426	Dust, Cover RH + LH	2	18	503831	Nut, M8 Nyloc x 6mm thick	2
9	579426	Dust, Cover RH + LH	2	19	579207	Hub Cap, 220mm dia MSV Silver	2
10	569180	Gear- Driving, 45 Teeth	2				

Not Illustrated

503054	Tie- Nylon Cable, Black	3	582049	Decal, Flap Caution	1
568693	Certificate of Conformity	1	582070	Decal, Serial Number	1
569262	Decal, Height Combo	1			
569324	Owner Manual	1			
571100	Decal, "Power Drive"	1			
573198	Decal, HSG "Self Propelled"	1			
579654	Decal, HSG S19 600	1	502352	Engine- Loncin, LC1P65FA 159cc	1
579758	Decal, Noise S19 600 96db	1			
580778	Stop- Rope	1			

When ordering spares: PLEASE QUOTE PART NUMBER & Description, NOT illustrated number. Item Qty = 1 per part unless stated differently.
BOLD TEXT = Assemblies. Text starting with * = items included in the assemblies & may not be available as a spares item.
 Determine the left hand or right hand sides by standing in the operating position (standing at the handle).



Item	Part No	Description	Qty	Item	Part No	Description	Qty
1	583487	Gear Box, Single Speed 19"	1	10	573593	Mount, Gearbox 19" ST SP	1
1a	501355	*Spring- Clutch, G/Box, SP 19"	1	11	501863	Screw, Set M8 x 12	1
1b	783249	*Pulley- G/Box, SP 19"	1	12	501702	Screw, Set M6 x 16	1
2	581092	Pawl, Pinion 950 SP	2	13	501703	Washer, Flat 6 x 14 x 1.2	1
3	503759	Circlip, 12 EXT DIN 471	4	14	503973	Nut, M6 Hex Nyloc Flange	1
4	501213	Bearing, 12 x 32 x 10 6201 2RS	2	15	569552	Spacer- 25 x 42 x 2 (If required)	1
5	581093	Cap, Pinion 950 SP Plastic	2	16	573024	Spacer- 25 x 42 x 1 (If required)	1
6	569178	Pinion, LH 12 Teeth	1	17	573634	Pulley- Engine, 7/8" x 68D x 28H	1
6a	569179	Pinion, RH 12 Teeth	1	18	503386	Screw, Grub M8 x 8	1
7	503102	Washer, Flat 12 x 20 x 0.4	2	19	503363	Key- W/Ruff 5/8 x 3/16 x 1/4	1
8	583563	Sleeve, Rear Axle MSV SP	1				
9	573884	Belt-V HC VEXTRA XPZ 760 Gates	1				

When ordering spares: PLEASE QUOTE PART NUMBER & Description, NOT illustrated number. Item Qty = 1 per part unless stated differently.
BOLD TEXT = Assemblies. Text starting with * = items included in the assemblies & may not be available as a spares item.
 Determine the left hand or right hand sides by standing in the operating position (standing at the handle).